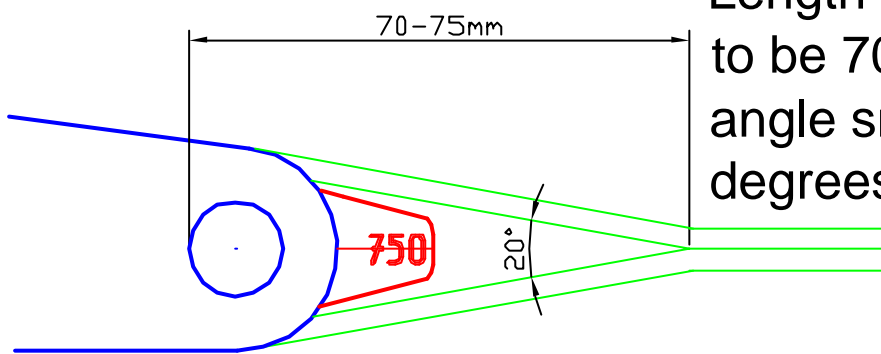
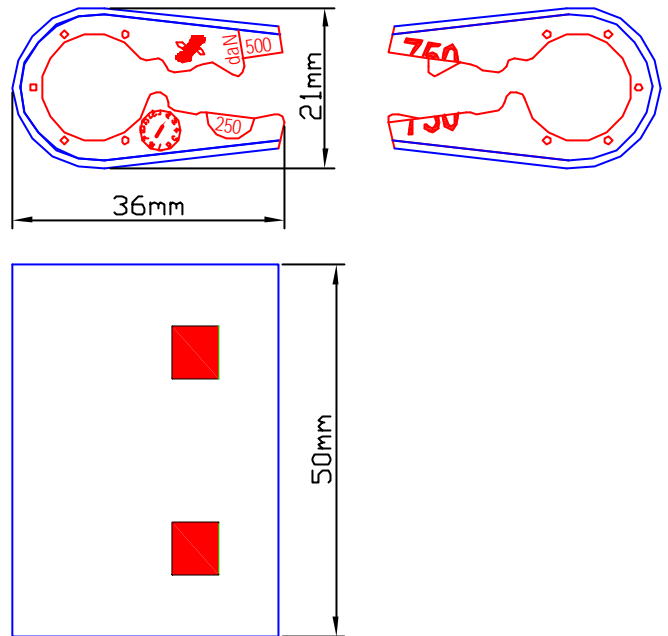
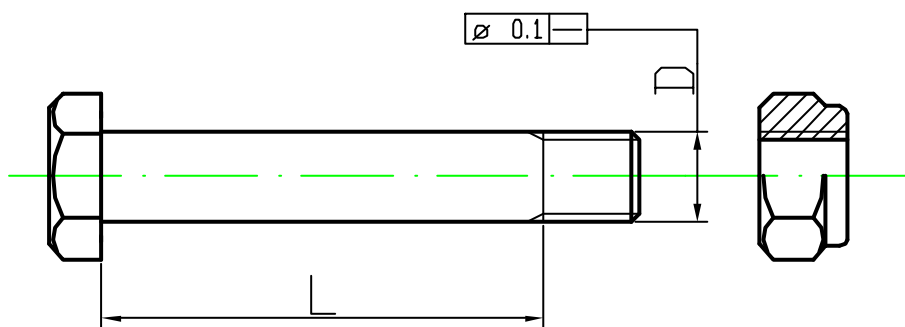


TFI 80801

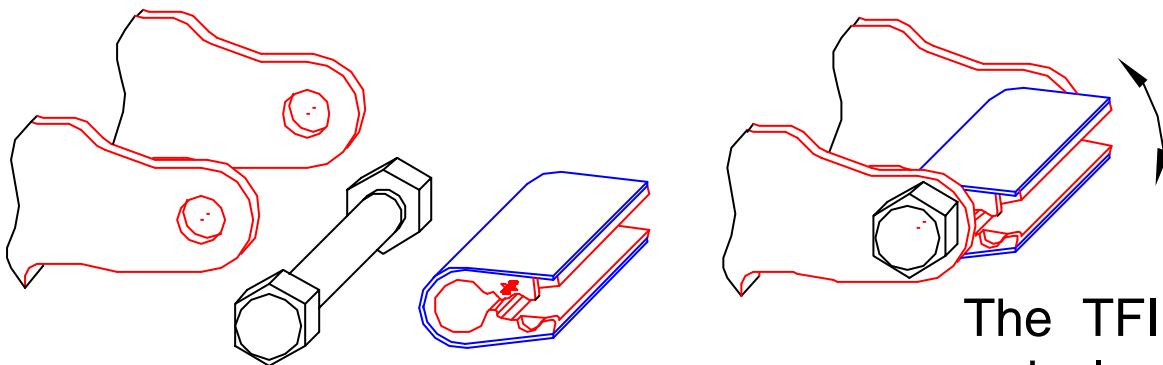
Assembly Instruction for
Tension Force Indicator
in connection with
Ergo-ABS-Plus 20050
also adaptable to
R/B 20020 and 20060



Length of webbing loop has
to be 70-75mm to obtain an
angle smaller than 20
degrees.



Bolt: $L = 58.5$
 $D = 11.8 - 12.0$



The TFI must be
swivel mounted

Assembly in clean condition with
the correct bolt and webbing loop